

CVA 7445

24" Built-In Coffee Machine With DirectWater - PureLine

Features:

- WifiConn@ct - Monitor appliances from your mobile device
- Cup Sensor - automatically positions dispenser to the cup
- 24 + coffee and tea drinks

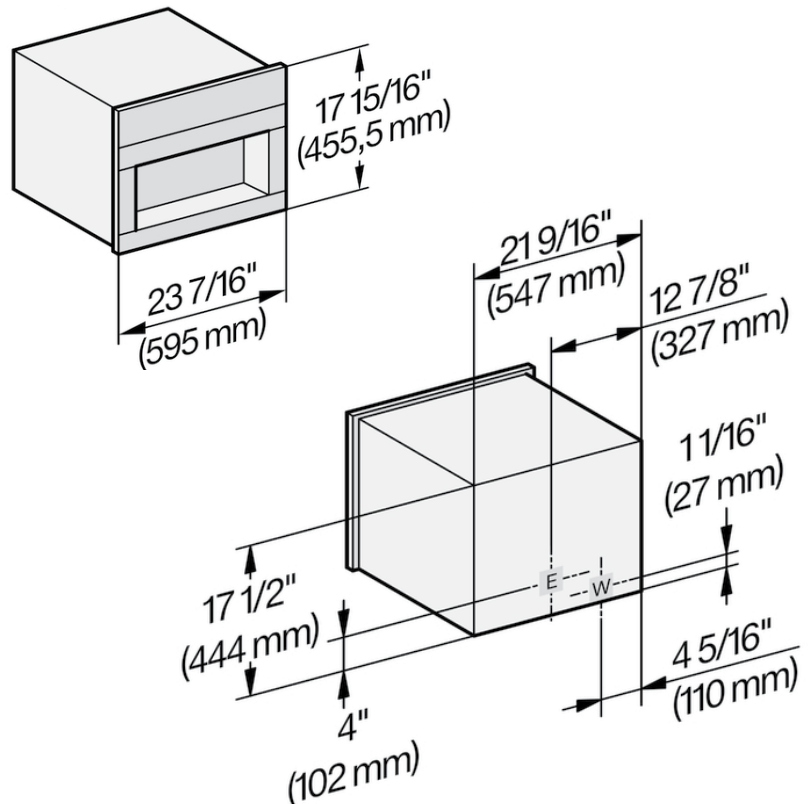


MATERIAL

11754300

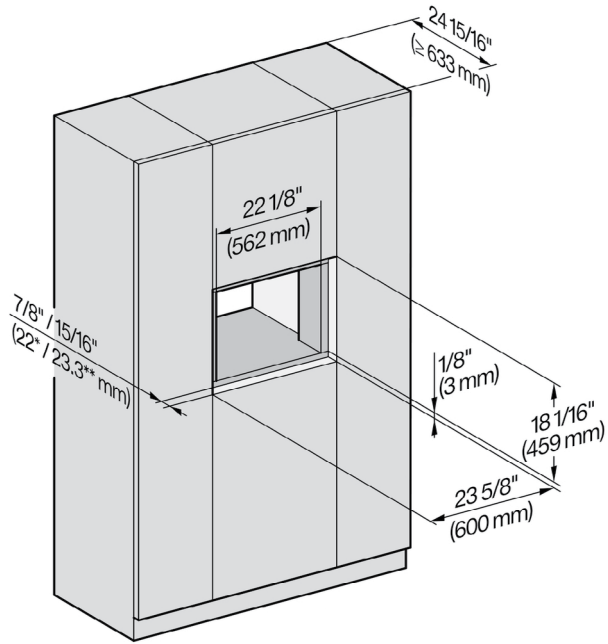
SPECIFICATIONS	
Overall Unit Dimensions	23 ⁷ / ₁₆ " (595 mm) W x 17 ¹⁵ / ₁₆ " (477 mm) H x 19 ⁵ / ₈ " (498 mm) D [including water connection]
Niche	
Minimum Cabinet Niche Opening	22 ¹ / ₈ " (562 mm) W x 17 ¹¹ / ₁₆ " (450 mm) H x 24" (610 mm) D
Plumbing	
Water Supply Requirements	Connect to a cold water supply only. Must be connected to a shut-off valve. The water shut-off valve must be accessible after installation. The water pressure must be between 14.5 psi (1 bar) and may not exceed 145 psi (10 bar). If the pressure is higher than 145 psi (10 bar), a pressure reducing valve must be installed.
Water Connection Line	³ / ₄ " BSP to ¹ / ₄ " Compression fitting is supplied. Suitable ¹ / ₄ " O.D flexible water line or copper piping is not supplied. Maximum water line length 4'11" (1.5 m).
Electrical	
Electrical Requirements	120V, 60Hz, 15 Amps
Power Cord	NEMA 5-15 plug, 6 ft (1.8 m)
Shipping	
Shipping Weight	65 lbs (29.4 kg)
Shipping Dimensions	22 ¹ / ₁₆ " (560 mm) W x 22 ¹ / ₁₆ " (560 mm) H x 25 ³ / ₁₆ " (640 mm) D

PRODUCT DIMENSIONS

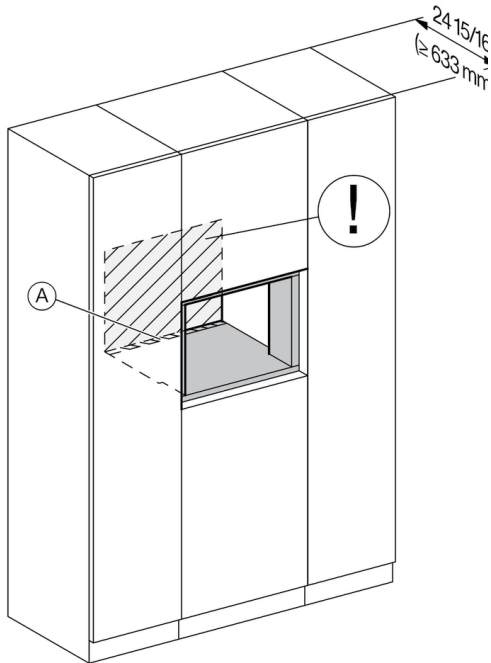
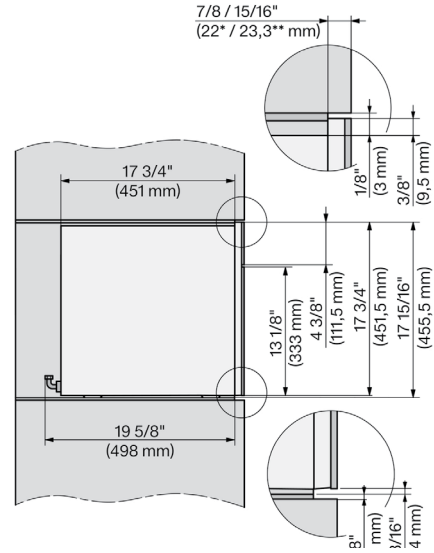


FLUSH CUTOUT DIMENSIONS

Front View



Side View



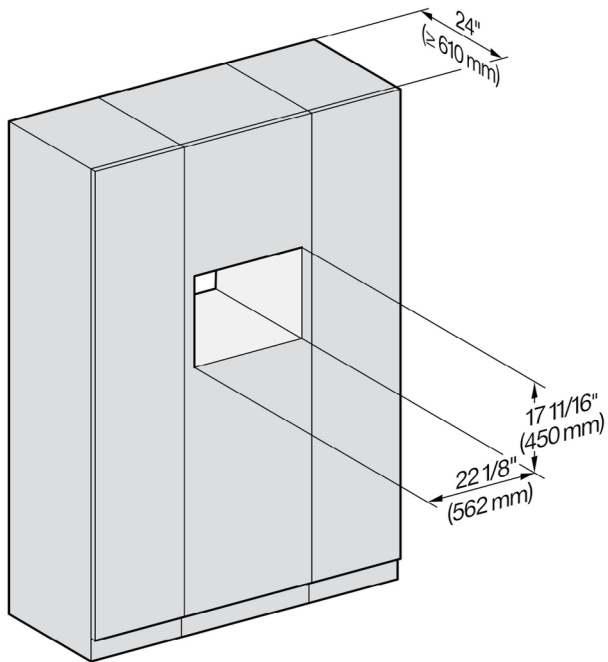
A - Cut-out (4" x 28" [100 mm x 720 mm]) in the bottom of the cabinet for the power cord and Ventilation

ⓘ - Electrical and water supplies are recommended to be placed in adjacent cabinetry.

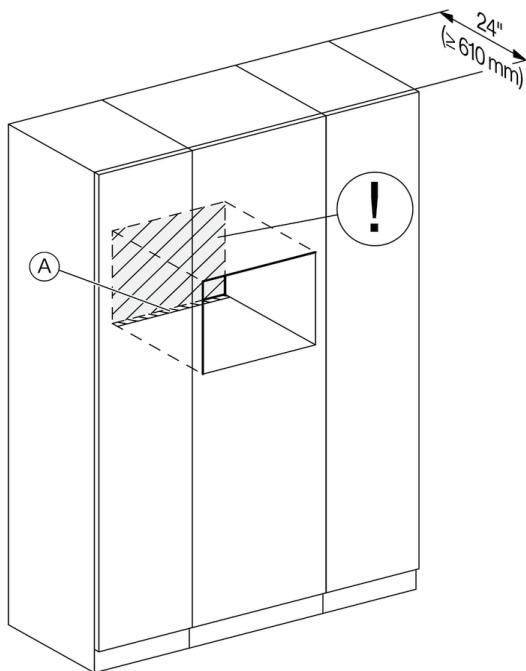
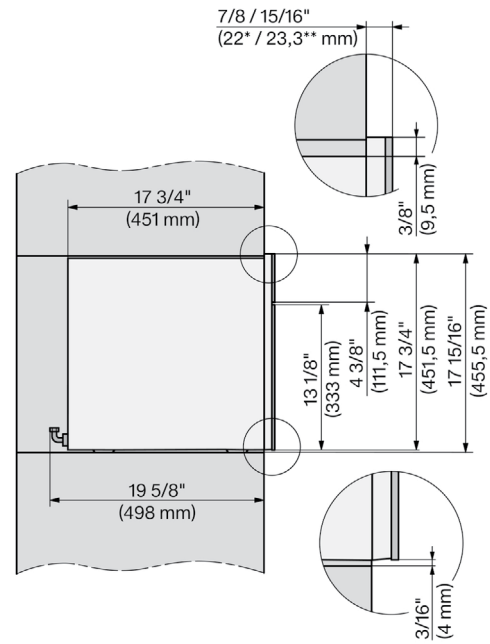
Additional cabinet depth is required when placing the electrical and water supplies behind the appliance.

PROUD CUTOUT DIMENSIONS

Front View



Side View



A - Cut-out (4" x 28" [100 mm x 720 mm]) in the bottom of the cabinet for the power cord and Ventilation

ⓘ - Electrical and water supplies are recommended to be placed in adjacent cabinetry.

Additional cabinet depth is required when placing the electrical and water supplies behind the appliance.